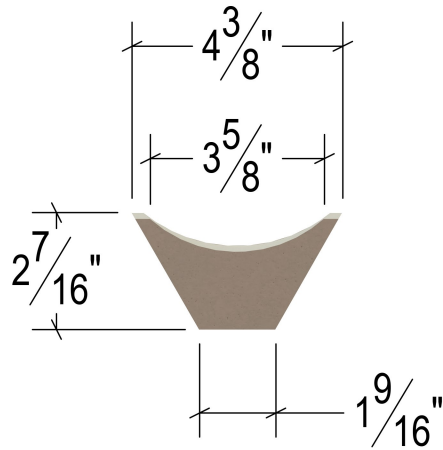
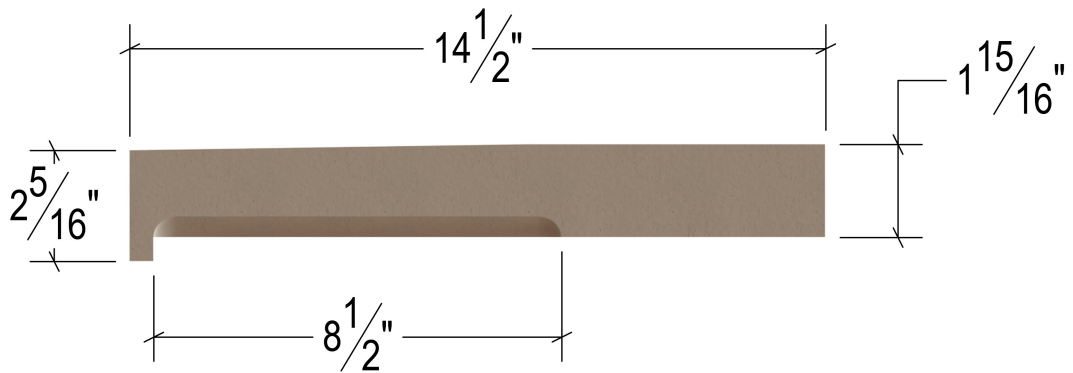


**THREE DIMENSIONAL VIEW**



**FRONT VIEW**



**SIDE VIEW**